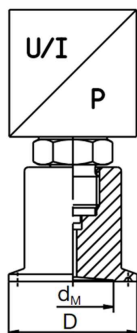


# Pressure separator with clamp connection

## Type 409774

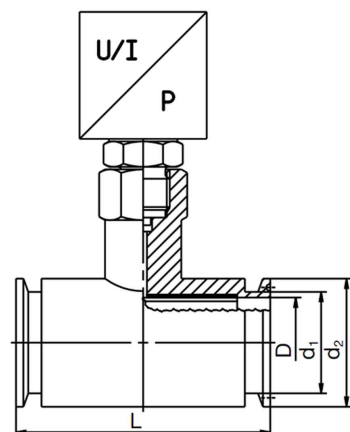
Diaphragm pressure separator Type 409774/17-...



### Technical data

Process connection	Nominal pressure bar	Recommended min. pressure range bar	Temperature coefficient mbar/10°C	Weight (without meas. device) kg	Dimensions [mm]	
					d <sub>M</sub>	D
DN 1½"	PN40	above 0.4	+12	0.32	34	50.5
DN 2"		above 0.1	+3	0.70	45	64

Pipe pressure separator Type 409774/18-...



### Technical data

Process connection	Nominal pressure bar	Recommended min. pressure range bar	Temperature coefficient mbar/10°C	Weight (without meas. device) kg	Dimensions [mm]			
					L	D	d <sub>1</sub>	d <sub>2</sub>
DN 1½"	PN40	above 0.4	+12	0.99	126	35.5	40	50.5
DN 2"		above 0.1	+3	1.69	100	48.6	55	64