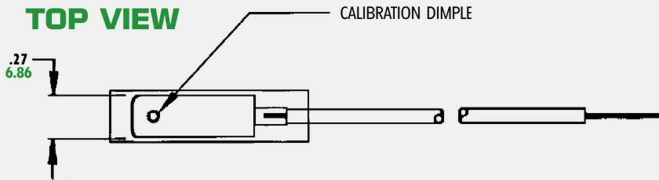


MODELS K AND KR

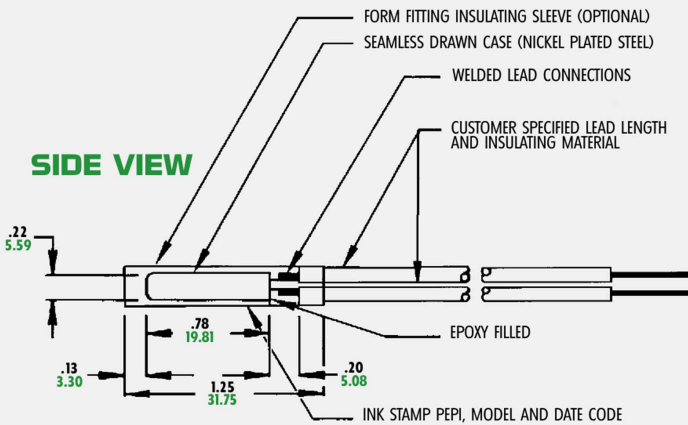


MODELS K AND KR

TOP VIEW



SIDE VIEW



METRIC DIMENSIONS ARE IN MM (SHOWN IN GREEN)

Copyright 2006, Portage Electric Products, Incorporated, all right reserved

A creep action thermostat/thermal protector with a higher resistive-bimetallic element for increased current sensitivity. Available with gold diffused contacts for use in low voltage/low current applications.

FEATURES

- Creep action device; slow make/slow break switching action.
- No built-in differential between the opening and closing temperature.
- Conductive bimetal construction; the bimetallic element carries the circuit current for maximum sensitivity under short circuit conditions.
- Preset calibration temperature; not adjustable in the field.
- Case electrically alive; insulating sleeving is available.
- Available with gold diffused, fine silver contacts for use in low voltage/low current applications.
- Available to open circuit on rise of temperature (normally closed), Model K; or close circuit on rise of temperature (normally open), Model KR.

CONTACT RATINGS

- 4 amps/120 volts AC resistive
- 4 amps/120 volts AC inductive

Please consult our Sales Engineers for suggested contact ratings when applied to DC type loads.

CALIBRATION TEMPERATURE RANGE

- Available with nominal calibration temperatures from 30°C to 200°C.

CURRENT DERATING CURVE



We come through when the heat is on[®]



Pepi[®]

Portage Electric Products, Inc.