

# INT301 / INT302<sup>®</sup> Temperature monitor for Pt100 or Pt1000 sensors



INT30x Temp. monitor

### Application:

- motors
- pumps
- transformers
- gears / bearings

### Functional description:

The INT30x devices can be programmed to operate in two ways. Mode 1: An output relay is allocated to each sensor; the switching point can be individually set for each sensor. Mode 2: The relays are allocated warning, trip and alarm functions

common to all three sensors and to the analogue input. The alarm and trip points can be set individually for each sensor and for the analogue input. The alarm relay signals sensor open or short circuit.

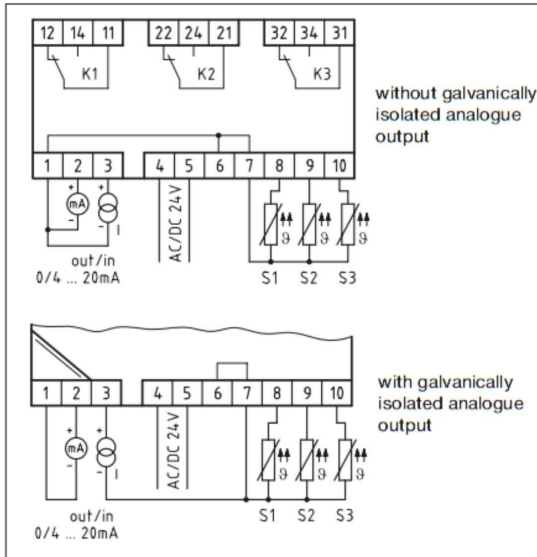
### Special features:

- easy 2-key operation
- analogue input
- analogue output (option: galvanically isolated)
- variable hysteresis
- password access possible
- 3 monitoring circuits in one device
- easy lead compensation
- cascade configuration possible
- intelligent response to sensor faults



All inputs are designed for low voltage - do not connect to mains voltage. We recommend to shield the sensor cables and to ground unilaterally at the switching cabinet.

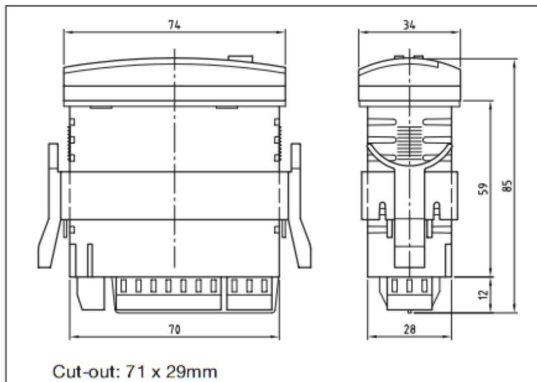
ommend to shield the sensor cables and to ground unilaterally at the switching cabinet.



Connection diagram

### Technical data

Supply	AC/DC 50/60Hz 24V ± 10% 3VA
Ambient temperature range	-20...+60°C
Measuring range	-50...+250°C (resolution 1K)
Accuracy	± 1% (of measuring range)
Temperature sensor (2-lead)	Pt100 / Pt1000 acc. to EN 60751
Relay (3x change-over)	AC 250V, max. 6A ohmic, 3A inductive, 300VA inductive approx. 1 mio. switching cycles
Mechanical service life	approx. 1 mio. switching cycles
Analogue output	0(4)...20mA, active, burden ≤ 500Ω
Analogue input	4...20mA, passive
Screw terminals	≤ 2.5mm <sup>2</sup>
Housing	ABS
Protection class acc. to EN 60529	front mounted: IP65 (built-in) housing: IP20
Mounting	front panel mounting
Dimensions	74 x 34 x 85mm
Weight	approx. 130g



Dimensions in mm

### Ordering information

INT301 for Pt100 sensors	20 A 501
INT301 with galvanically isolated analogue output	20 A 501 S21
INT302 for Pt1000 sensors	20 A 502
INT302 with galvanically isolated analogue output	20 A 502 S21
Transformer AC 50/60Hz 230V 3VA	CD4200153F
Transformer AC 50/60Hz 115V 3VA	CD4200154F

Subject to technical modifications without notice