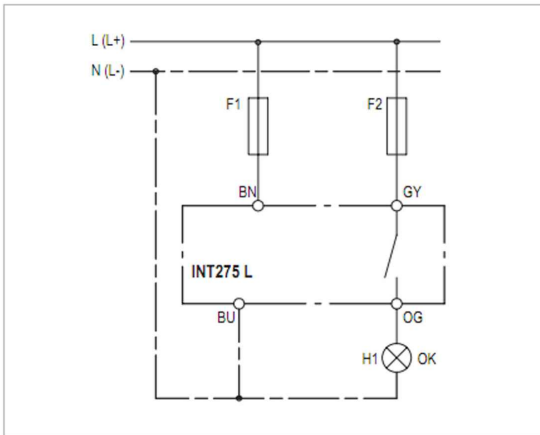


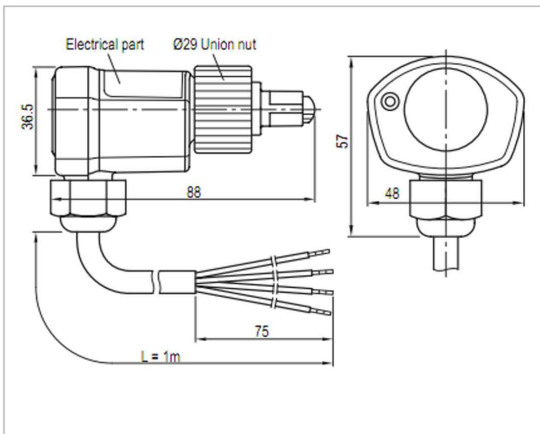
INT275 L® Level monitor



INT275 L



Wiring diagram



Dimensions in mm

Application

The optical level monitoring INT275 L is employed for contactless single point measurement of fluid levels, e.g. on compressors, pumps, tanks, etc. The solution consists of a screw-in part and an evaluation unit. The screw-in part for optical level monitoring is permanently built-in at the measuring point. The electronic evaluation unit can be mounted or replaced without opening the circuit of the medium to be monitored.

Functional description

Light pulses of the device are refracted in fluids and reflected in gaseous environments. This allows the INT275 L to detect the fluid level reliably.

Level monitoring begins 3 seconds after supply voltage has been connected.

Time-delayed reaction prevents switching errors that can be caused by temporary fluctuations of the fluid.

If the level is too low or if there is an error, the relay drops out.

Once the correct level has been reached again or the error has been rectified, the relay energises again.

The potential-free, normally open contact can be looped into a safety circuit without an auxiliary relay.

An integrated own monitoring system ensures high reliability; an installation check monitors the proper assembly.

Installation instructions

1. Ensure cleanliness of thread and glass of the screw-in part.
2. Mount evaluation unit into the screw-in part. The cable outlet has to point downwards here.
3. Tighten the coupling ring hand tight.

The mounting, maintenance and operation are to be carried out by an electrician. The valid European and national standards for connecting electrical equipment have to be observed.

See back side for further specifications

Technical changes reserved



INT275 L[®]

INT275 L[®] Level monitor

Technical specifications

Supply voltage	
- 52 S 475 ...	AC 50/60Hz 230V ±10% 3VA
- 41 S 475 ...	AC 50/60Hz 115V ±10% 3VA
- 20 S 475 ...	AC/DC 50/60Hz 24V ±10% 3VA
Permitted ambient temperature	-30...+60°C
Medium temperature	Max. +80°C
Permitted rel. humidity	10-95% r. h. no condensation
Switch delay	
- After applying the supply voltage	3s ±1s
- Level missing or fault	5s ±2s
- Level good and no fault	5s ±2s
Relay	
- Contact	AC 240V 2.5A C300 at least AC/DC 24V 20mA
- Mechanical service life	Approx. 1 million switching cycles
Protection class acc. to EN 60529	IP54 in mounted condition
Connection type	Cable 4 x AWG 18/7
Housing material	PA glass-fibre-reinforced
Mounting	Union nut (torque max. 10Nm)
Dimensions	Refer to dimensions in mm
Weight	Approx. 160g
Check base	EN 61000-6-2, EN 61000-6-3 EN 61010-1 Overvoltage category II Pollution level 2
Approval	UL File No. E222056 eUR _{us}

Order data

INT275 L Level monitor (AC 230V)	52 S 475 S60
INT275 L Level monitor (AC 115V)	41 S 475 S60
INT275 L Level monitor (AC/DC 24V)	20 S 475 S60
Accessories and application information	see www.kriwan.com